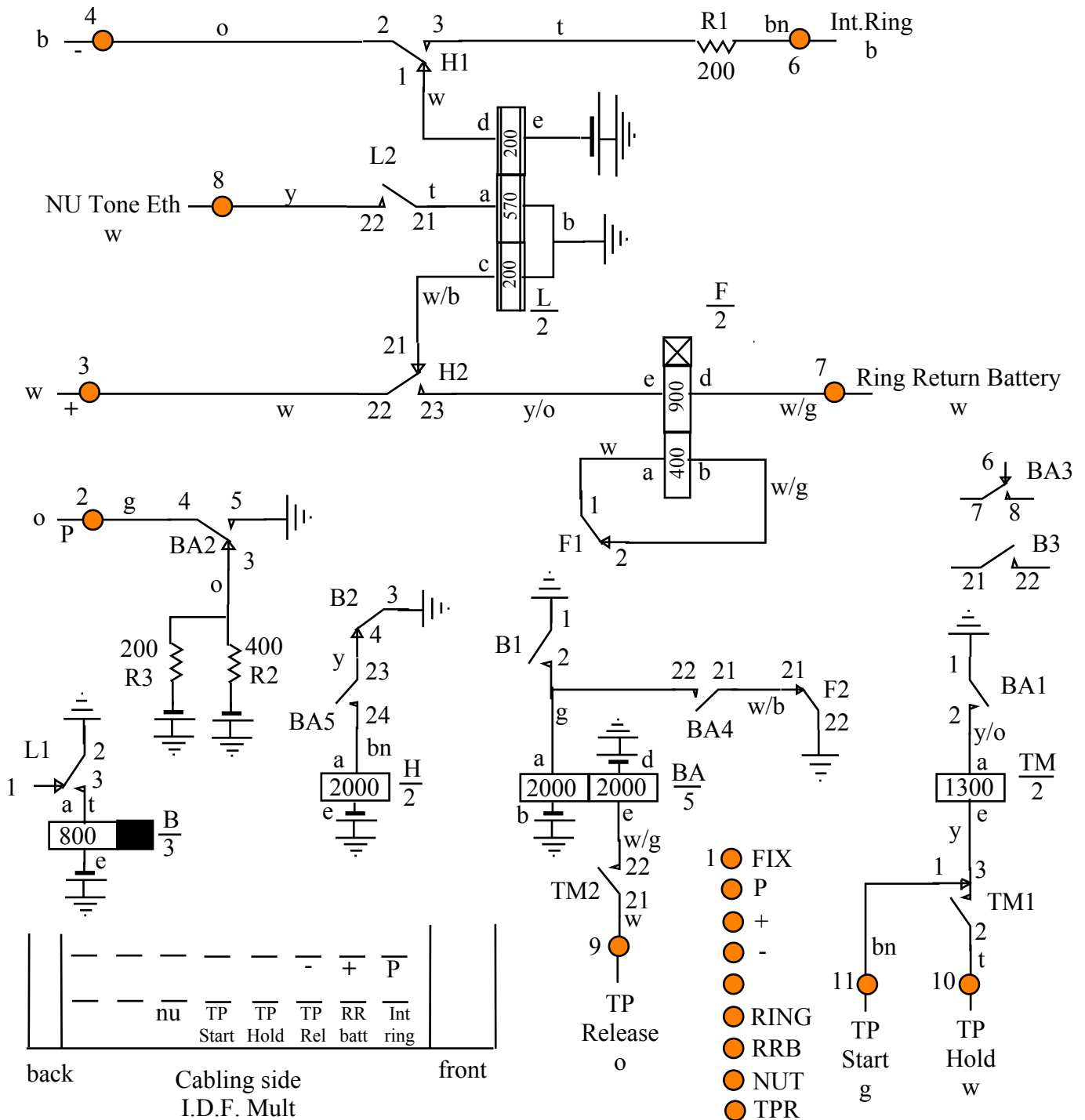


Earth - 13 - Lb - BA1 - BA5 - F22 - L2 - B1 - B3  
 Batt - 14 - He - BAb - Bad - Be - Le - R3 - R2



Norchard Ring Back Relay Set		
DFR EX002A		
ISSUE A	29/11/2004	Opening Issue
<b>Dean Forest Railway</b>		

