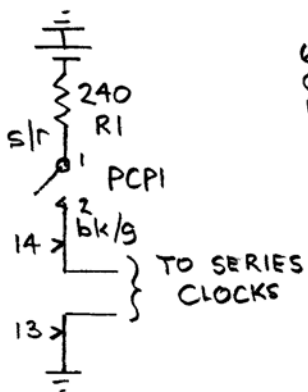
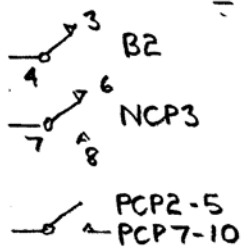
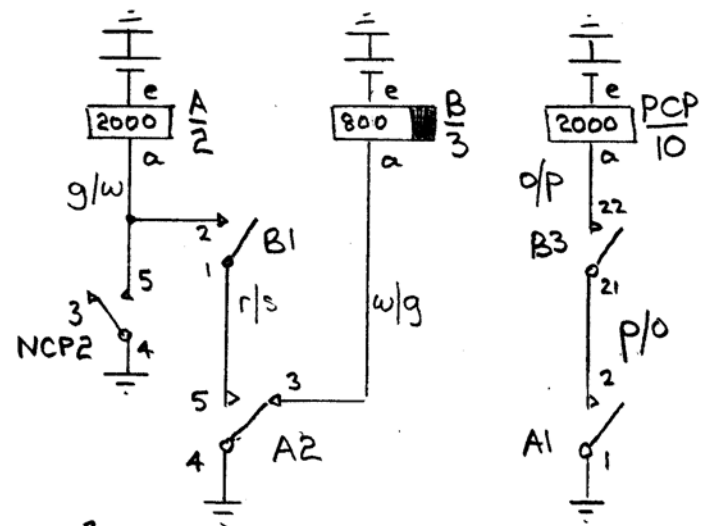
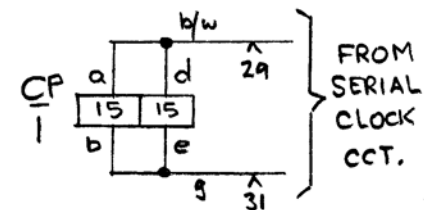
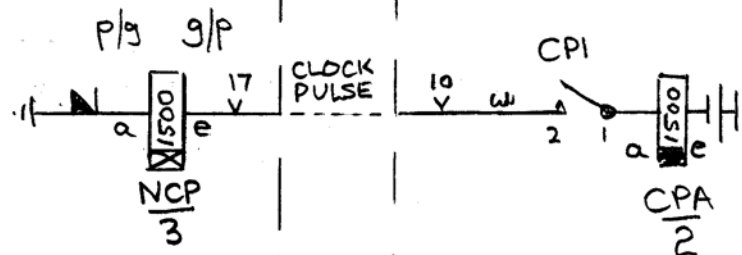
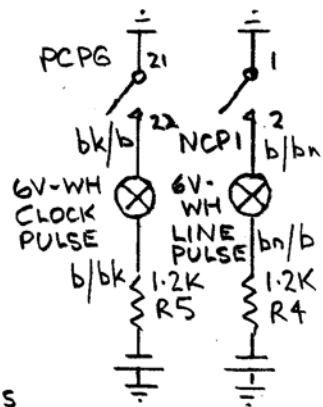


PARKEND | CABLE | NORCHARD

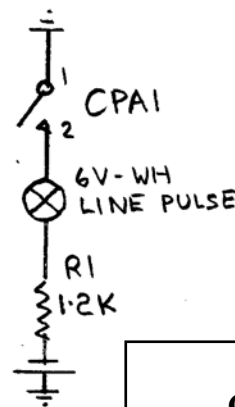
50V -ve batt. upt 12
earth upt 11



TO SERIES CLOCKS



note: u pts must make if relay set is removed



note : The output pulse from relay PCP is always the release lag of relay B, no matter what the input pulse length of relay NCP ia.

Parkend Clock Pulse Reception Relay Set		
DFR ex015a		
ISSUE A	13/12/2010	Opening Issue
Dean Forest Railway		

