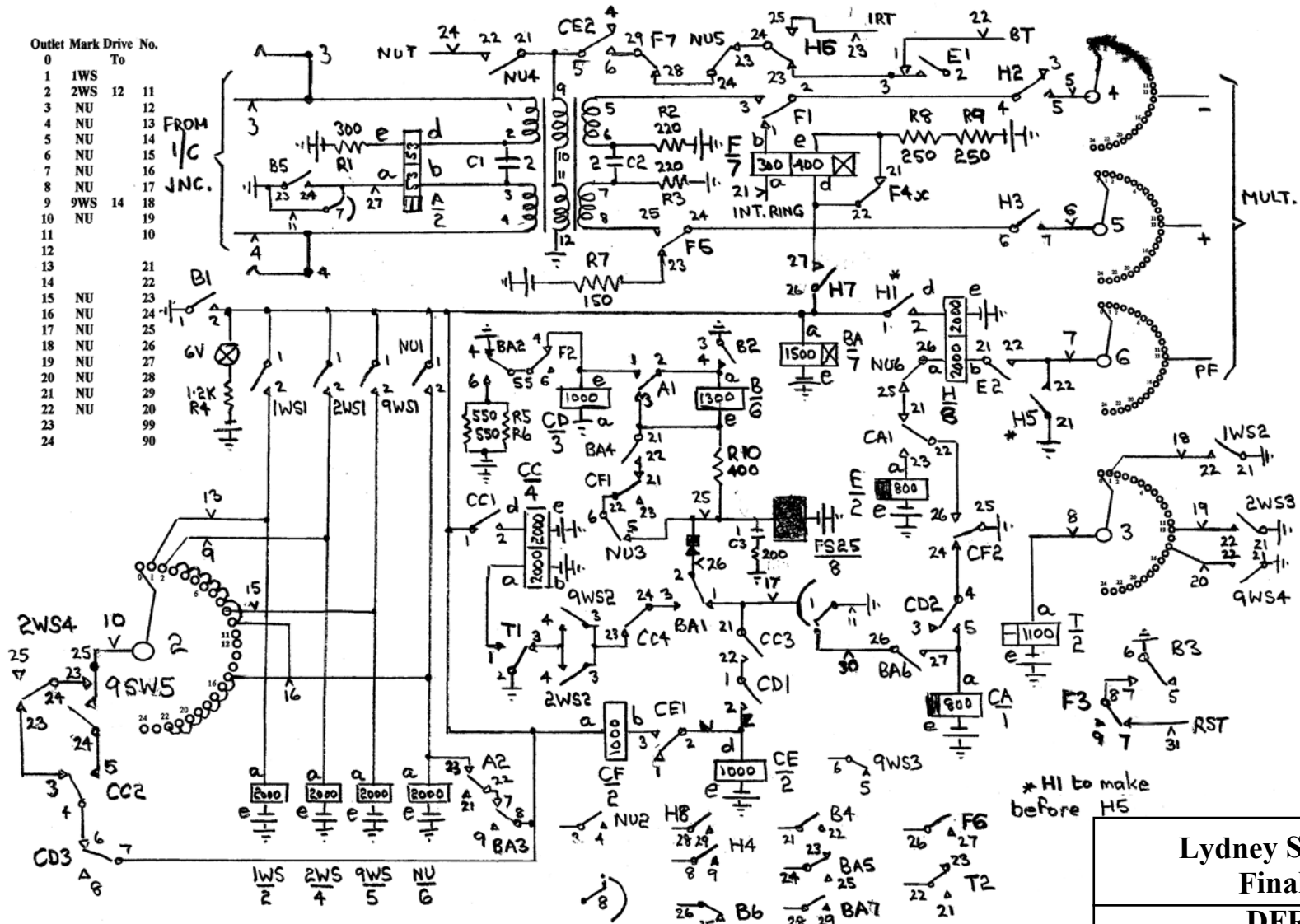


Outlet	Mark	Drive No.	To
0			
1	IWS		
2	2WS	12	11
3	NU		12
4	NU		13
5	NU		14
6	NU		15
7	NU		16
8	NU		17
9	9WS	14	18
10	NU		19
11			10
12			
13			21
14			22
15	NU		23
16	NU		24
17	NU		25
18	NU		26
19	NU		27
20	NU		28
21	NU		29
22	NU		20
23			99
24			90



Lydney Signal Box Exchange - Final Selector Circuit		
DFR ex046b		
ISSUE B	23/06/2013	contact 2WS4 added, minor corrections
ISSUE A	04/10/2012	Opening Issue
Dean Forest Railway		

