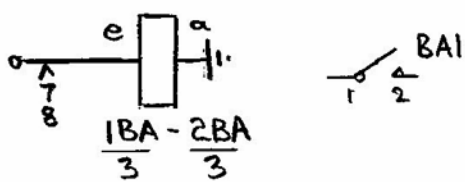
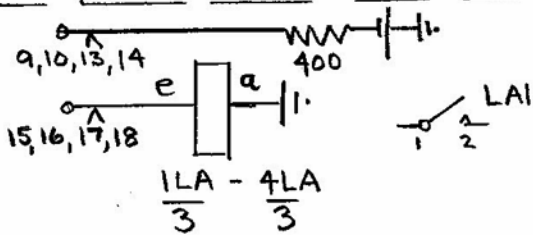


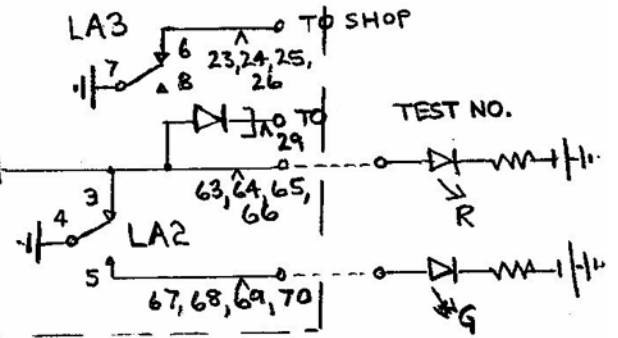
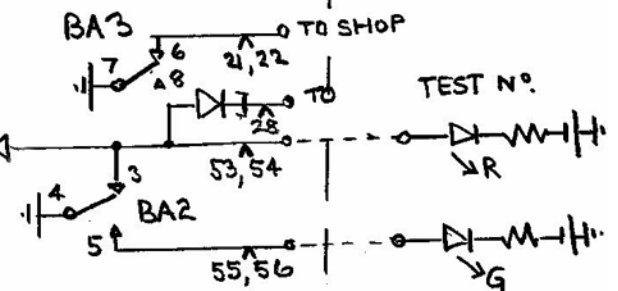
NORCHARD EXCH ALARM (1)



TELECOMS NORCHARD BATT. ALARMS (2)



SIGNALS NORCHARD LOOP ALARMS (4)

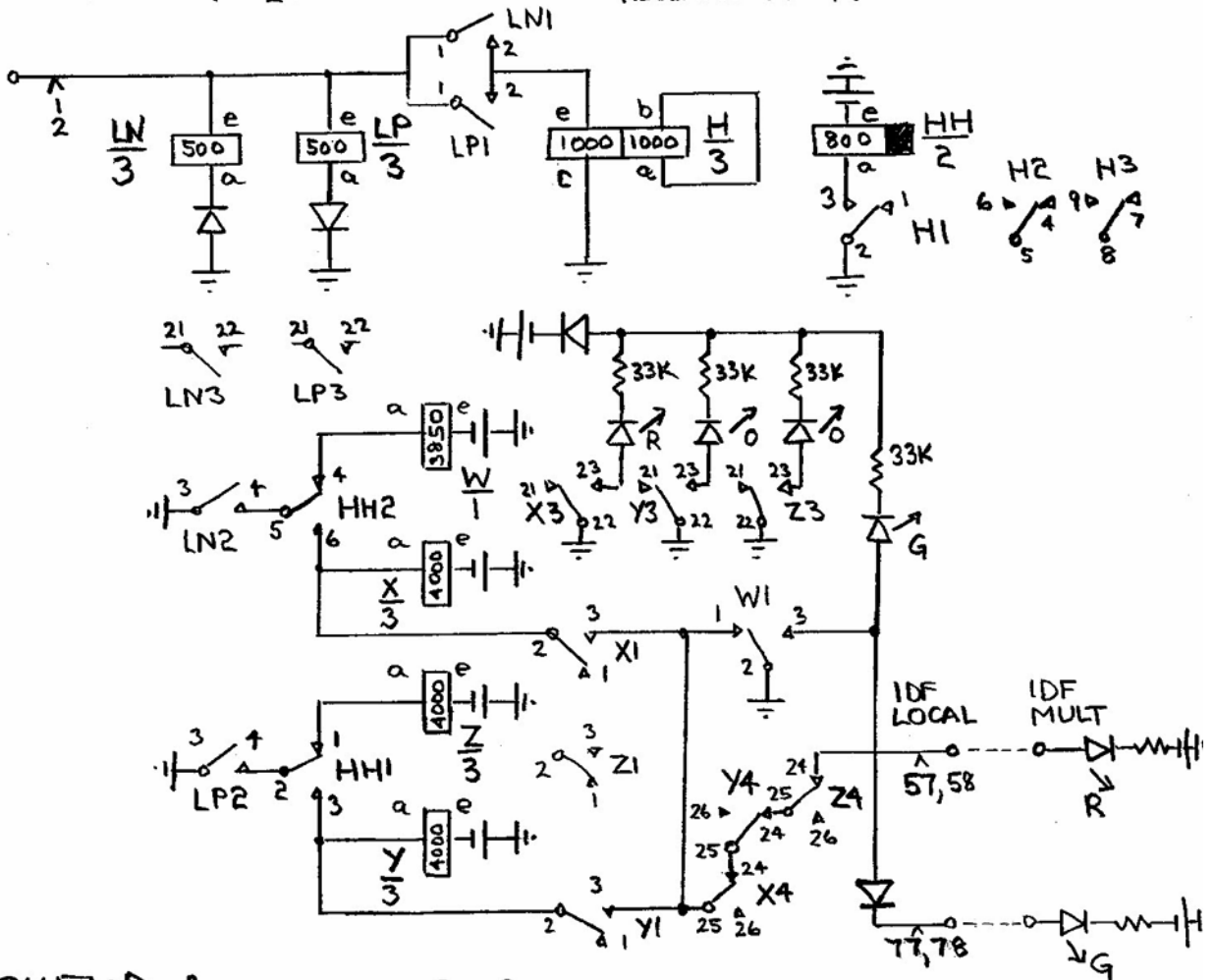


TO PAGE 2 (899)  
RED (ALARM ON)

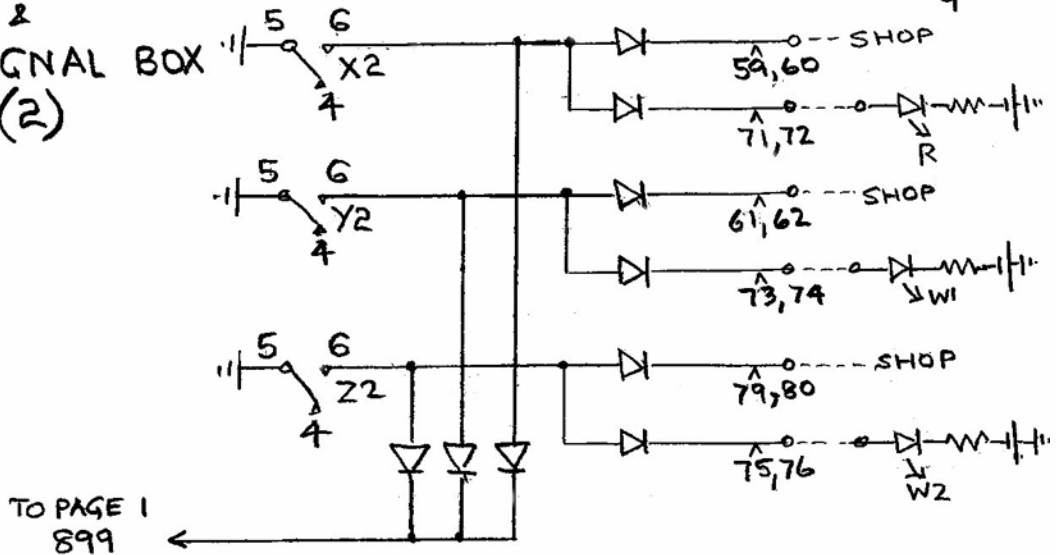
Norchard - STARS Alarm Reception		
DFR ex060a-2 page1		
ISSUE A	19/04/2014	Opening issue
Dean Forest Railway		

LN/LP RELAYS  
OPERATE AT 7V  
RELEASE AT 2V

H RELAY  
OPERATES AT 17V  
RELEASES AT 4.5V



PARKEND &  
LYDNEY SIGNAL BOX  
ALARMS (2)



TO PAGE 1  
899

Norchard - STARS Alarm Reception

DFR ex060a-2 page 2

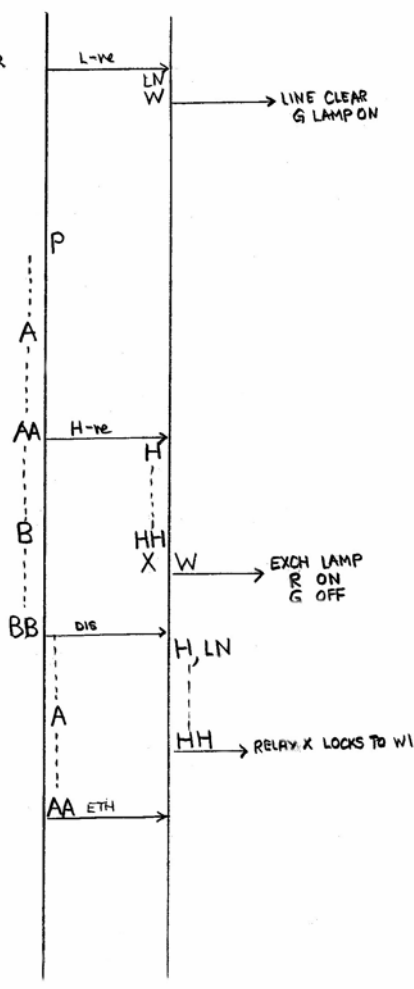
ISSUE A 19/04/2014 Opening issue

Dean Forest Railway



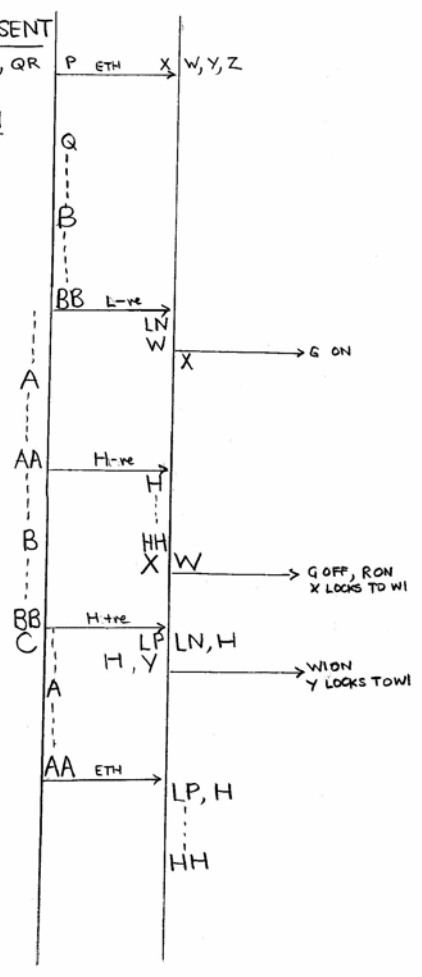
NO ALARMS PRESENT  
RELAYS P, Q, R

EXCH. ALARM ON



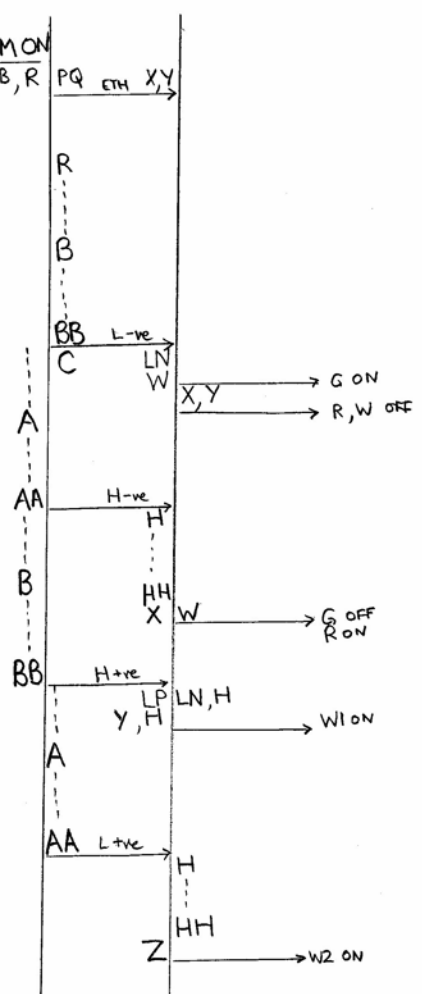
EXCH ALARM PRESENT  
B, BB, QR

PKD SIG. ALARM ON



EXCH & PKD SIG ALM ON  
B, BB, R

WCT SIG ALM ON



<b>Norchard - STARS Alarm Reception</b>		
<b>DFR ex060a-2 page 3</b>		
ISSUE A	19/04/2014	Opening issue
<b>Dean Forest Railway</b>		