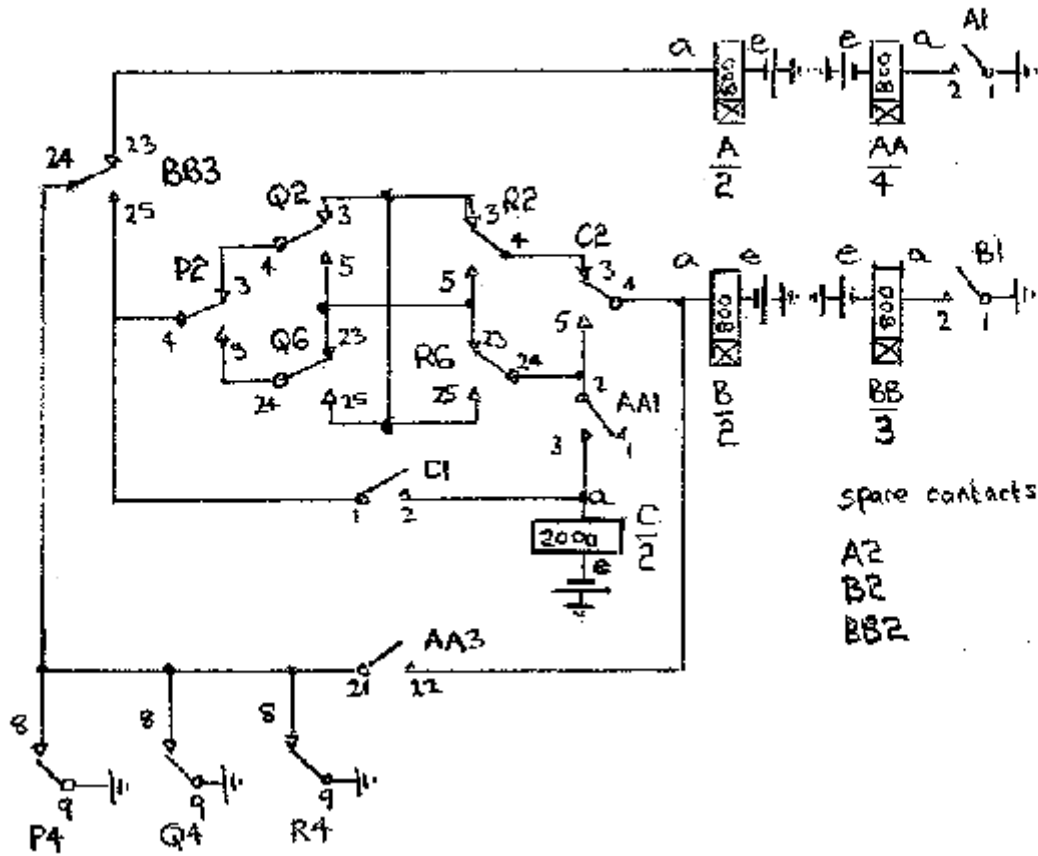


note: the following relays are normally operated:
P, Q, R, QR, RR, 2SB, POS

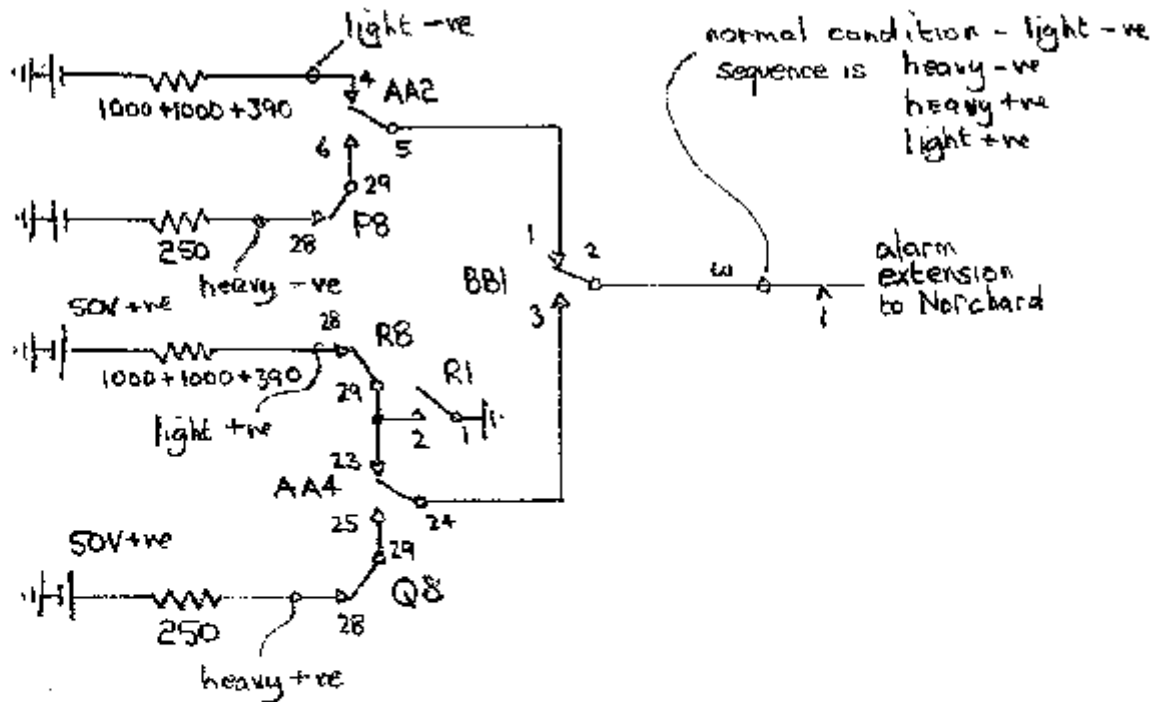
Page 1 - Alarm Reception

Parkend - Alarm & STARS Relay Set		
DFR ex062a		
ISSUE A	06/07/2014	Opening Issue
Dean Forest Railway		

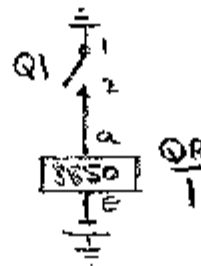
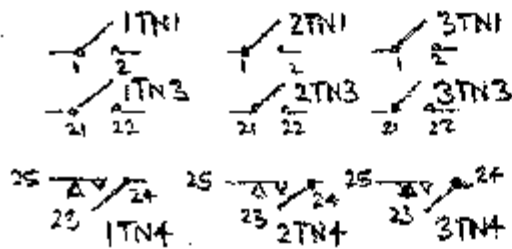
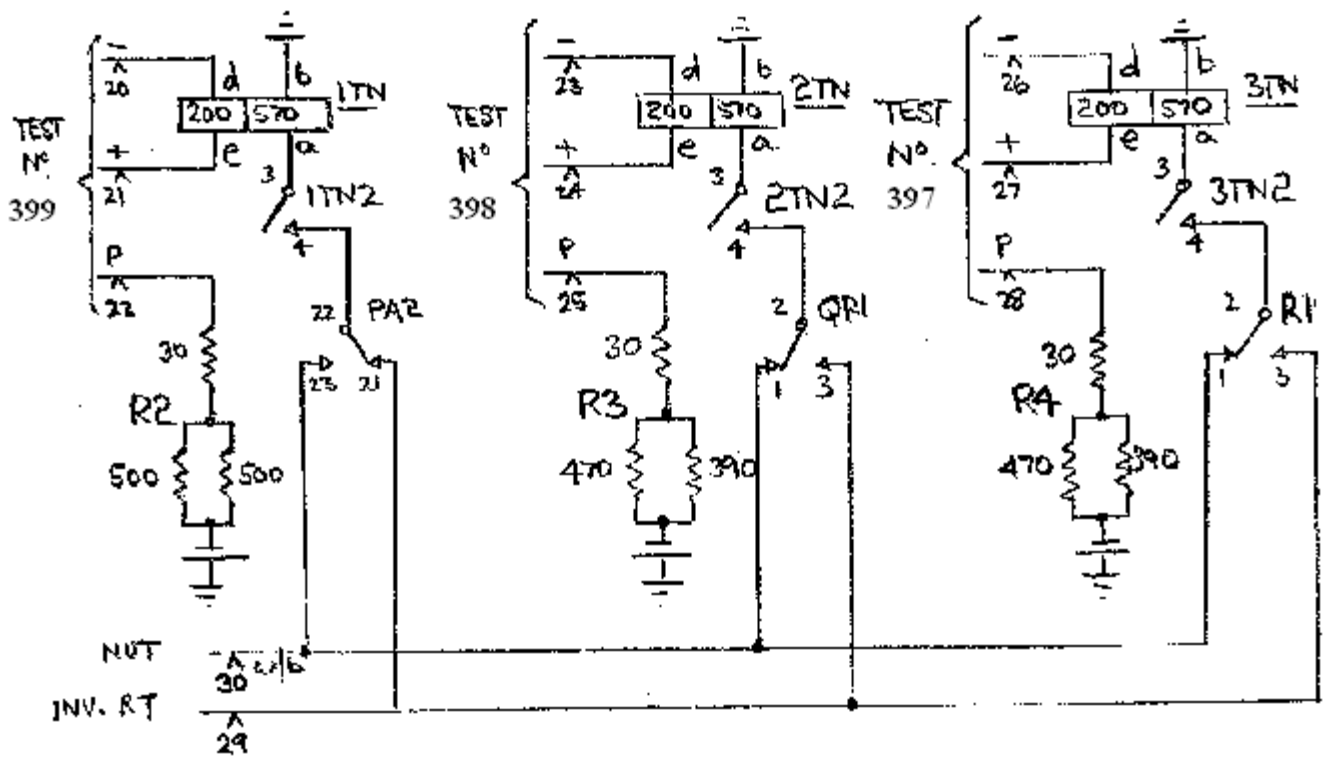




spare contacts
 A2
 B2
 B3



Parkend - Alarm & STARS Relay Set		
DFR ex062a		
ISSUE A	06/07/2014	Opening Issue
Dean Forest Railway		



Parkend - Alarm & STARS Relay Set		
DFR ex062a		
ISSUE A	14/05/2014	Operating Issue
Dean Forest Railway		